

RMF SYSTEMS

PURE POWER





WHERE CAN IT BE USED

- ▶ Automotive industry
- ▶ Plastic industry
- ▶ Industrial applications
- ▶ Power generation

WHEN SHOULD IT BE USED

- ▶ Systems with different viscosities
- ▶ For quick flushing

WHY SHOULD IT BE USED

- ▶ If limited time is available
- ▶ If permanent installation is not possible

VariPure

RMF Systems VariPure is the most advanced filter trolley for clean oil transfer and off-line filtering of hydraulic and lubricating fluids.

The VariPure has a sturdy powder coated ergonomically designed frame, large puncture proof tires for easy manoeuvring on all floor surfaces. The unit has a large removable drip tray, the tray prevents spills and is easy to empty.

A sturdy steel gear pump offers an efficient pumping source, the pump has a broad viscosity range 12 - 800 cSt which allows a variety of fluids to be pumped.

An internal safety valve in the pump protects the unit from over pressuring.



The pump flow is controlled by means of a frequency controller which allows the RPM of the electric motor to be adjusted to the desired level with the corresponding oil flow.

The VariPure holds two 60G fibre glass elements and offers a divers choice of elements, ranging from 1 micron up to 12 micron. Water absorbing elements are offered in 1 & 5 micron size.

The filters are equipped with a visual-electrical pressure difference gauge / switch which shows filter saturation and automatically shuts down the unit when filter elements reach their maximum Δp .

Sampling points for particle counter and bottle sampling are provided (see page 7). Unit comes with suction and return hoses.

An automatically retracting cable reel is available as an option on single phase models.



Features



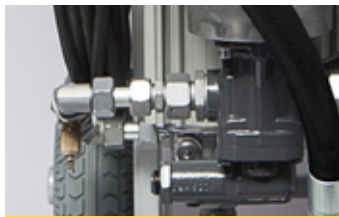
FREQUENCY CONTROLLER
Regulates the speed of the electric motor and display actual amperage, RPM and frequency.



HYDRAULIC CONNECTIONS
Suction and return tubes for simple hydraulic connection.



PRESSURE DIFFERENTIAL GAUGE/SWITCH
Indicates the element saturation and switches off the unit when filter element is saturated



SAMPLING POINTS
To connect a particle counter like PLPC.



ELECTRIC MOTOR
One motor for most commonly used voltages.



INDUSTRIAL WHEELS
puncture proof tires for easy manoeuvring on all floor surfaces.



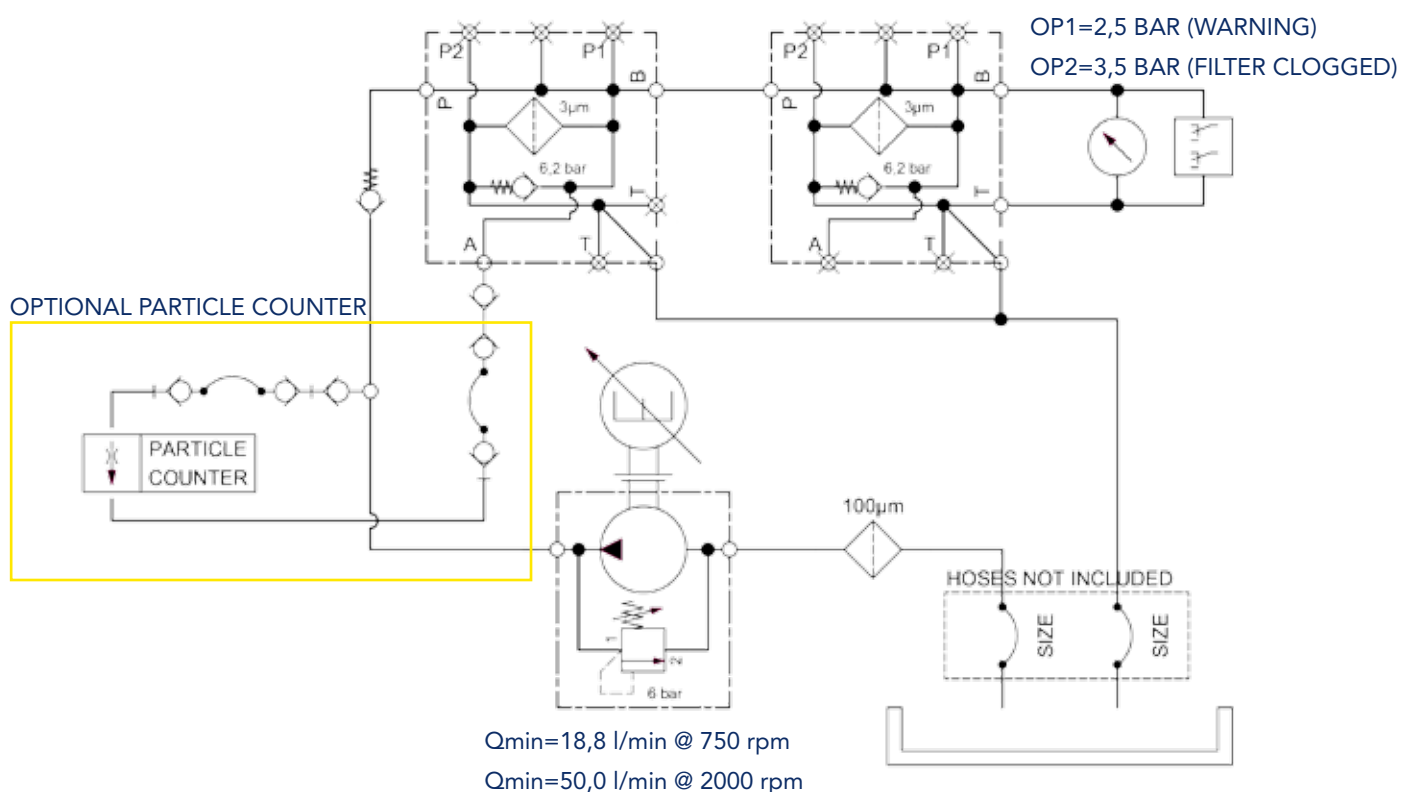
GEAR PUMP
High quality low pressure steel gear pump with internal safety valve.

FILTER TROLLEY
Heavy duty steel, powder coated frame with removable drip tray.

Specification

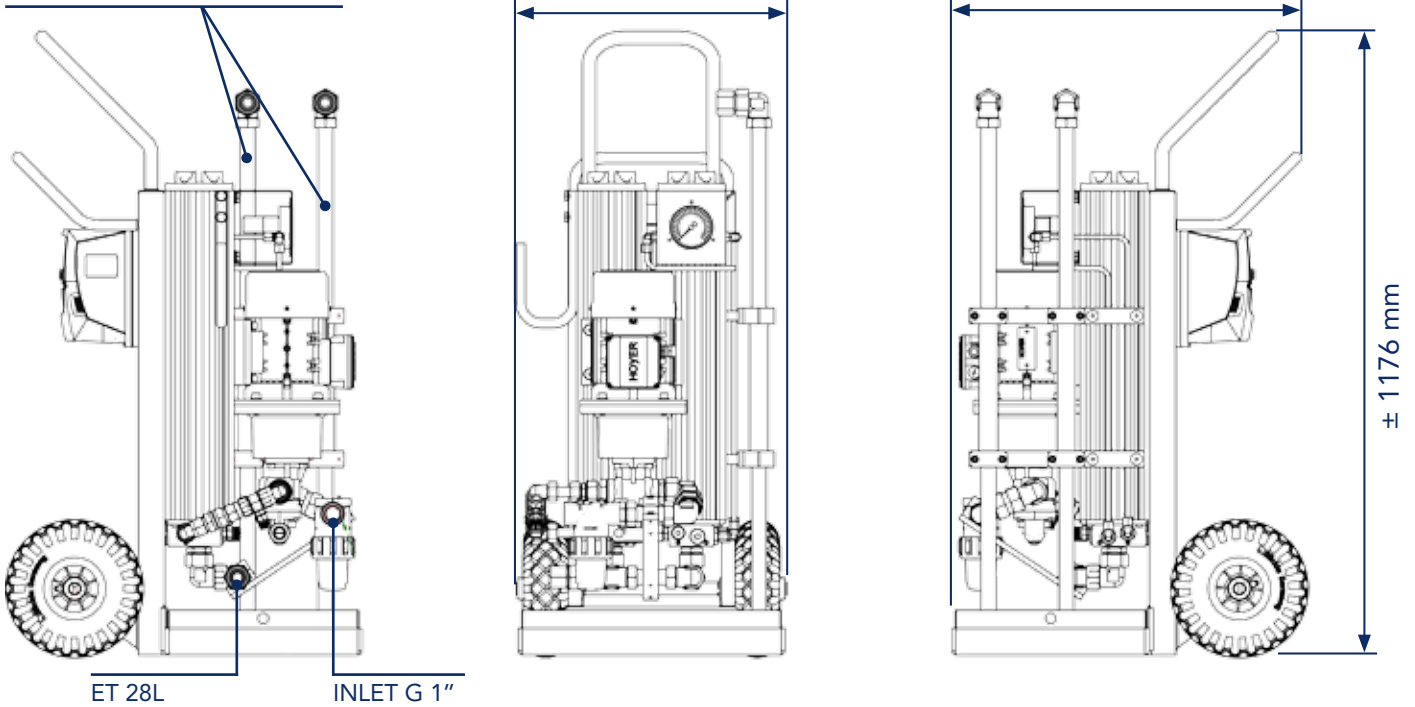
PRODUCT DETAILS	
Flow	18,5 - 50 l/min (750 - 2000 rpm)
Max. Oil Temperature	100° C
Seal material	FPM
Max. pressure filter housing	20 bar
Suction and return hose	3 meter
Suction and return pipe	1 meter
Electric cable	15 meter
Viscosity range	12 - 800 cSt
Nominal power rating electric motor	0,75 kW Power rating may change when using different voltage
Suitable elements	60G series in 1, 3, 6 and 12 micron / 60A series in 1 & 5 micron
Pump safety	6 bar
Fluid compatibility	Hydraulic fluid according ISO 2943
Approximate weight	115 kg
Prefilter	100 µm

Hydraulic Diagram



Dimensions

CONNECTION PIPES Ø 28 MM



Ordering code

YOUR VARIPURE ORDERING CODE

TABLE 1	TABLE 2	TABLE 3	TABLE 4	TABLE 5	TABLE 6	TABLE 7
VP	2B	60		V		0

TABLE 1 - BASIC CONFIGURATION		CODE
VariPure	Industrial applications	VP

TABLE 2 - HOUSING CONFIGURATION		CODE
HOUSING CONFIGURATION		
Double housing (double length)		2B

TABLE 3 - LENGTH ELEMENT		CODE
600 mm		60

TABLE 4 - FILTER MATERIAL		CODE
Glass fiber, 1 micron $\beta_1 \geq 200$		G1
Glass fiber, 3 micron $\beta_3 \geq 200$		G3
Glass fiber, 6 micron $\beta_6 \geq 200$		G6
Glass fiber, 12 micron $\beta_{12} \geq 200$		G12
Glass fiber with polymer, 5 micron, $\beta_5 \geq 200$		A5

TABLE 5 - SEAL MATERIAL		CODE
Viton		V

TABLE 6 - INPUT VOLTAGE*		CODE
280 - 480V, 3 Phase input		0
200 - 240V, 1 Phase input		A
110 - 115V, 1 Phase input		C
200 - 240V, 3 Phase input		P
* Input frequency rating 48 - 62 Hz		
NOTE, uses same electric motor for all option		

TABLE 7 - SMART OPTIONS		CODE
PLPC prepared		0



Portable Laser Particle Counter

OPTIONAL

Fluid analysis is a crucial component of any oil management program. Early detection of potential problems can prevent costly repairs and downtime. The Portable Laser Particle Counter (PLPC) is the most complete way to measure the contamination level of your system. With the PLPC you have the ability to measure, analyse and document your results immediately without the need of any additional equipment. The Portable Laser Particle Counter makes it possible to detect the ISO Cleanliness levels of the hydraulic media.

CHARACTERISTICS

The Portable Laser Particle Counter feature a twin laser system and eight channels for different particle sizes in order to guarantee high accuracy and repeatability. This compact unit is easy to handle for mobile and inline applications for systems with pressures up to 400 bar.

PORTABLE LASER PARTICLE COUNTER

The PLPC is a fully equipped portable laser particle counter. It features a complete QWERTY keyboard, an integrated thermal printer, an internal rechargeable battery and a large LCD display.

The unit has an internal data memory and is available with the included Windows® based software package for reports and data downloads.

EACH PLPC INCLUDES:

- ▶ 1x Portable laser particle counter
- ▶ 1x 2m waste hose
- ▶ 1x 1,5 m pressure hose
- ▶ 1x waste bottle
- ▶ 1x external power supply including cable with European, UK and USA plug adaptors
- ▶ 1x usb cable (1m)
- ▶ 1x software/manual CD
- ▶ 3 x thermal printer paper



We're Here To Help You

Coenecoop 71 | 2741 PH

Waddinxveen | The Netherlands

T (31) 182 30 28 88

F (31) 182 30 28 89

E info@rmffilter.com



SUBJECT TO CHANGE
WITHOUT PRIOR NOTICE
B_VARIPURE_20160519_EN